

Technical data-sheet for Compacting-unit KWZ-Micro

Manufacture:

KombiTec GmbH

An der Römerstr. 1

D-87488 Betzigau

GERMANY

Tel: +49 (0) 831 / 960 398 - 0

Fax: +49 (0) 831 / 960 398 - 10



Benefits:

- Compact, but flexible construction
- easy to handle and use
- Precise position-accuracy,
- stability and robustness due to high-precision ball-bearings
- high reproducibility of weldings
- two different materials / thicknesses weld-able in one operation
- suitable for compacting of wire-filaments or connecting wires with sensor-feets
- electrodes available for most copper and its alloys, typical steel- and stainless-steel applications, incl. common surface-treatments
- with integrated PLC choose-able:
 - one or two weldings per part
 - up to two welding-profiles choose-able
 - huge number of welding-profiles store-able at welding-current source

Application areas:

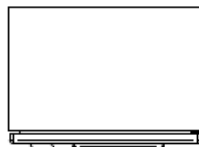
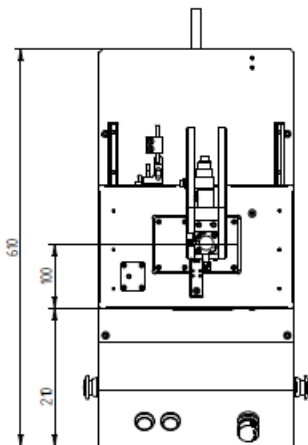
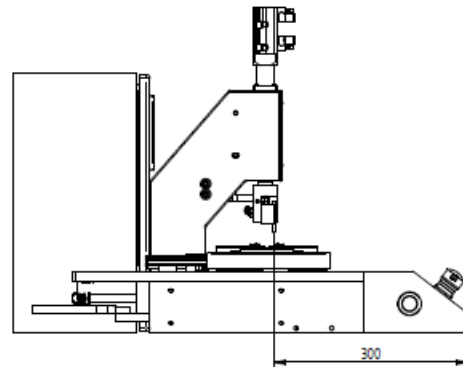
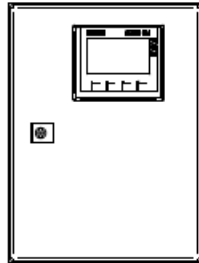
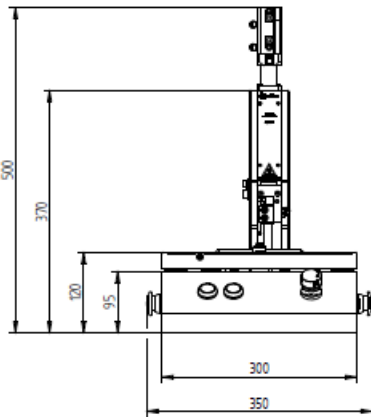
- Stranded wires between 0,10mm² up to approx. 1,0mm² (~ AWG27 – AWG16)
- compacting of multi-wires
- Y- and V-shaped welding of stranded wires together
- Direct elongation of stranded wires
- Welding of stranded wires with contact-pins of sensors

Technical changes:

Technical modifications and price changes without notices. All dimensions are in „mm“. No liability can be accepted for printing errors.

Technical data:

Cylinder-diameter of spring-load- / driving unit:	Ø 20mm
Theoretical force (at 5,0 bar):	max. 150N
Pressed air:	filtered, 5µm, oiled or dry
Pneumatic fittings:	G 1/4" - plug connector
Working pressure:	5,0bar – 7,0bar
Working temperature:	10°C – 40°C
Repeatability:	± 0,02 mm
Air consumption per cycle:	ca. 0,18 dm ³ (at 5 bar and max. stroke)
Total weight: ca. 8,5 kg	



Dimensions: Compacting-unit without product-fixings, -mountings, etc

Compacting-unit: KWZ-Micro

Incl. PLC and
electrical gasket

Different electrode
materials

Application related
product-holders

