

# Technical data sheet for Double-welding-head DK-2012

Manufacture:

**KombiTec GmbH**

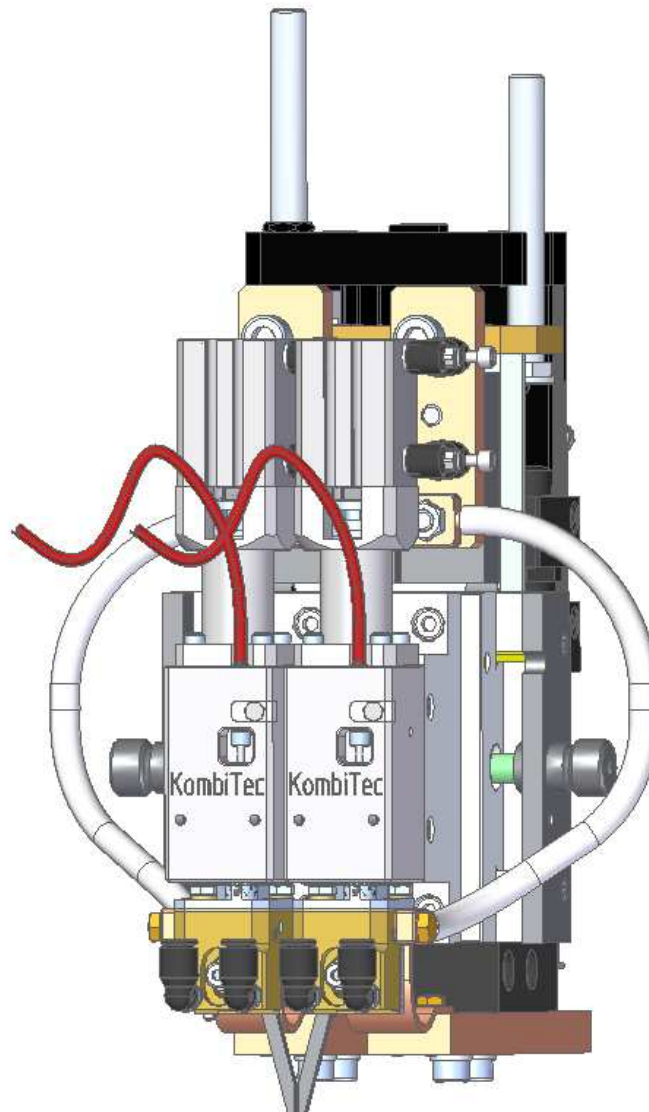
An der Römerstr. 1

D-87488 Betzigau

**GERMANY**

Tel: +49 (0) 831 / 960 398 - 0

Fax: +49 (0) 831 / 960 398 - 10



### Benefits:

- Compact design
- High dynamics due to small, moving masses
- Weight approx. 6,3 kg
- Precise electrode quick-hitch as a standard
- Thermode-holder available
- Best positioning preciseness
- Highest stability and load ability due to pre-loaded ball bearings
- Best reproducibility
- Outstanding displacement-behaviour
- Easy to upgrading and adjust of displacement-sensors

### Application areas:

Suitable for all weldings, where small forces are required, like:

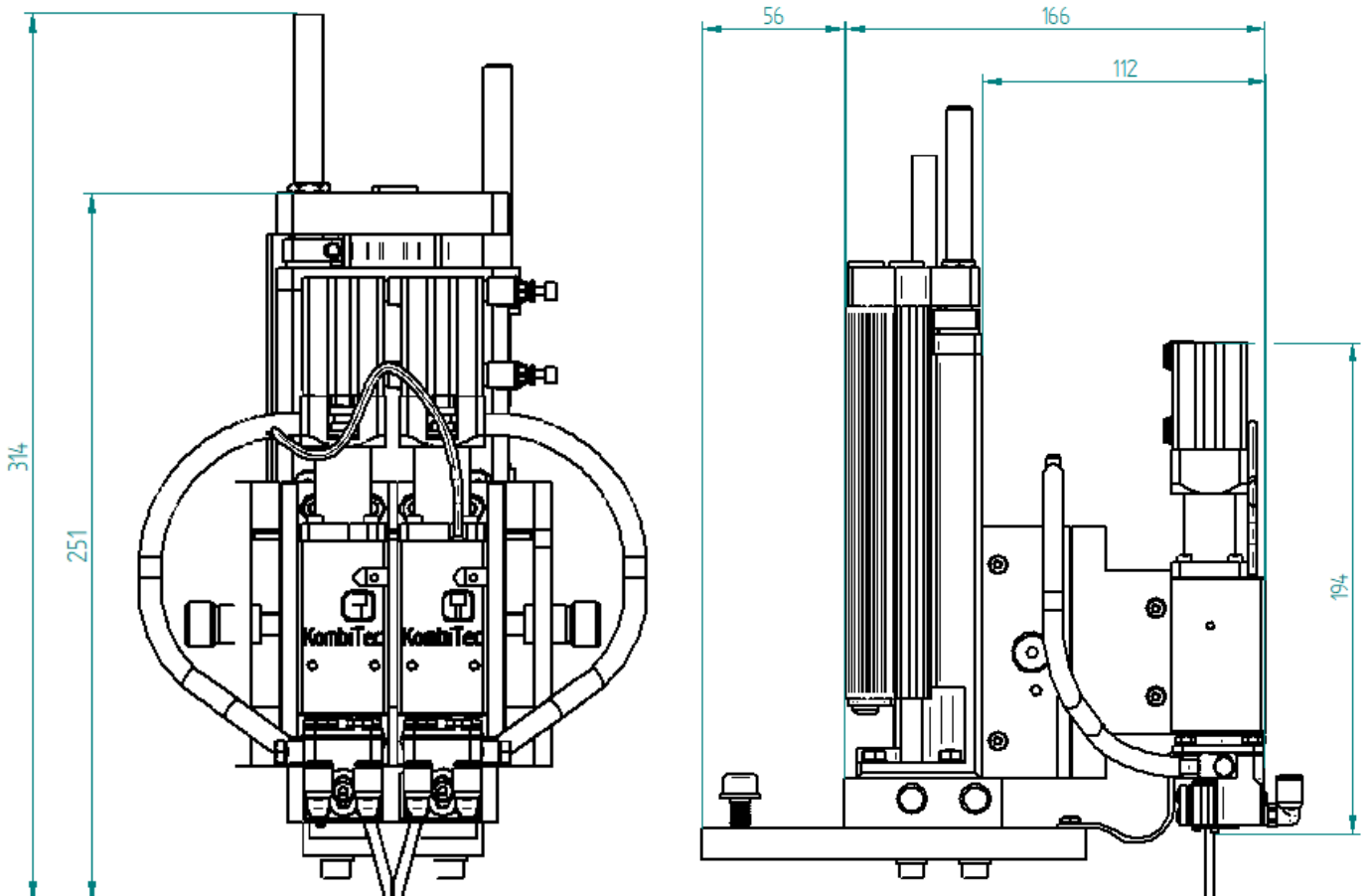
- Lightning industry: small and smallest contacts, thin filaments,
- Automotive industry: moulded plastic-parts, stamped and bended components
- Mechanical engineering: Welding of thin parts, metal sheets
- Energy technique: Hot-staking at magnetically coils (lacquered copper-wires), thin contacts for solar power generators and sensors
- Cable: connection to plugs / to contacts
- Production of consumption goods: heaters, cooking-pots,
- Welding of 3-dimensionally distributed welding spots using a handling system

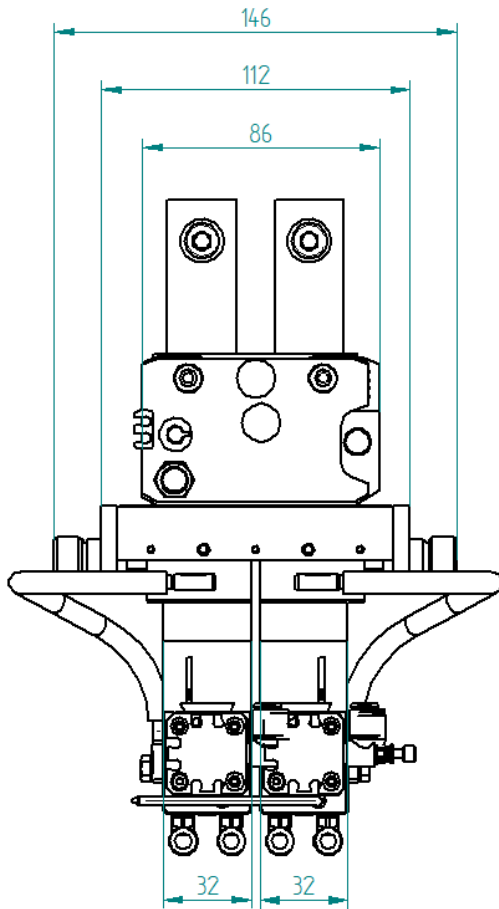
### Technical changes:

Technical modifications and price-changes without notices. All dimensions are in „mm“. No liability can be accepted for printing errors.

## Technical data:

Infeed unit:	pneumatically driven cylinder with Ø 16 mm
Theoretical force:	approx. 100 N (out driving at 5 bar)
Medium pressed air	filtered 5 µm, free of water / dried, oiled or un-oiled
Pneumatic fittings:	G1/4"
Pneumatic hose	Ø 6 mm
Working pressure:	0,5 – 7 bar
Working temperature:	0°C – 60°C
Repeatability:	± 0,01 mm
Max. weight of electrode holders:	< 1,0 kg
Max. stroke:	7 mm
Air consumption per cycle:	0,05 L (at 5,0 bar and maximum stroke)
Total weight:	14,1 kg
Max. current:	3,0 kA at 20 %ED





**Welding-head DK-2012**

**Option of configuration:**

